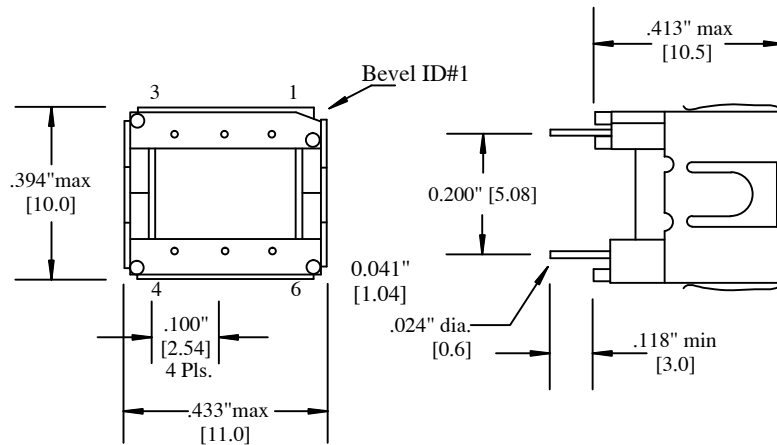


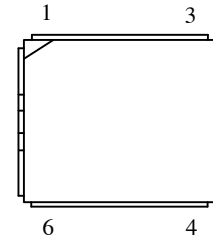
- HIGH SPEED DATA TELEPHONY TRANSFORMERS FOR VOICE, DATA AND xDSL APPLICATIONS.
- LOW PROFILE (0.413"/10.50mm MAX HEIGHT).
- SMALL BOARD AREA USAGE (<0.434"/11.03mm SQUARE).
- FOR ANALOG DEVICES ADmsp 910 ADSL APPLICATIONS.

REVISIONS

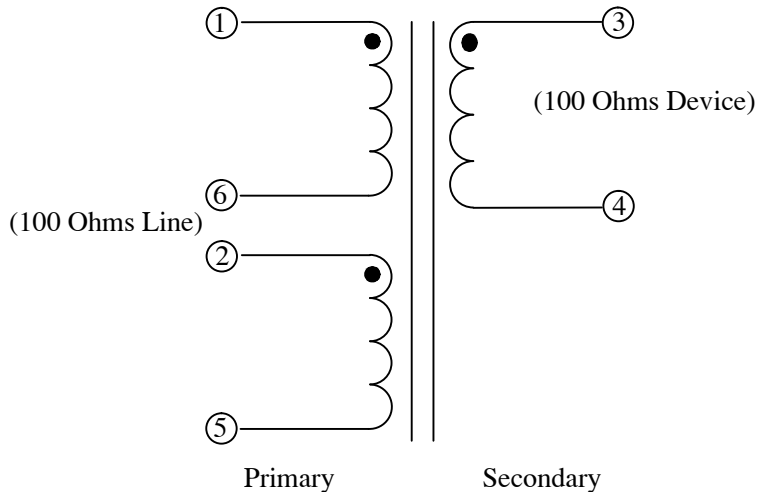
DATE	REV	DESCRIPTION	APPV'D
04-05-16	-1	Updated entire drawing	Tjk



Bottom View



Top View



Electrical Parameters

Primary Dcr : (1-6) : 1.30 Ohms Max.
 (2-5) : 1.30 Ohms Max.
 Secondary Dcr (3-4) : 2.25 Ohms Max.
 Turns Ratio (1-5) : (3-4) : 1:1 ± 1%
 Inductance (1-5) : 25.4 mH Min. Tie 6-2
 @10KHz, 0.1V
 Return Loss : 10.0dB Min. 30K- 1.1MHz
 Longitudinal Balance : 40.0 dB min., 20K - 1.1MHz
 Dielectric Strength :1250 Vrms 1sec.

Note : All dimensions are reference unless otherwise specified. [] = mm



CUSTOM ENGINEERING MAGNETIC COMPONENTS
 Johnsburg, Illinois
 3521 N. Chapel Hill Rd. / McHenry, Illinois 60051

SCALE: None	APPROVED BY: <i>Tj Klotz</i>	DRAWN BY Tjk
DATE: 10-13-99		REVISED
T1/E1 Transformer		DRAWING NUMBER
P/N SPT-2004		B-SPT-2004-1